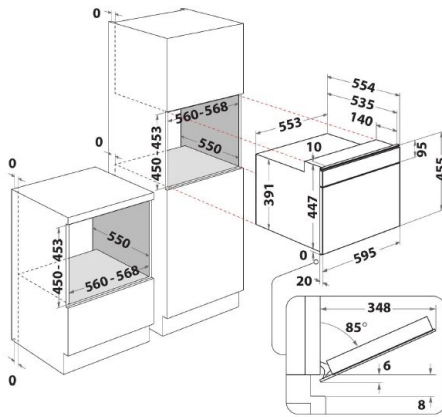


W-COLLECTION MULTI-FUNCTIONAL MICROWAVE OVEN PRODUCT SPECIFICATIONS

W7MW461



★ Crisp Fry

★ 6th Sense Technology

★ Soft Closing Hinge



Crisp Fry

Enjoy an unbeatable crispness outside and a delicious tenderness inside, with DualCrisp. An exclusive technology by Whirlpool. Two microwave emission points to completely enfold food and evenly cook it also from the bottom.



JetDefrost

Fast defrosting. Use the unique JetDefrost 3D system to defrost food effectively and with ease in your microwave oven.



Forced Air

Seal in the taste. Thanks to the Forced Air technology, preheated air is circulated inside your microwave oven using an innovative convection system, giving you moist, juicy cooking results.



6TH SENSE technology

No more guesswork. Simply pick your recipes, and let 6th SENSE cook them to perfection, every time. Up to 40 cooking combinations organized to fit your lifestyle and diet, for a full assisted cooking experience.



Assisted Display

The AssistedDisplay provides clear, common-sense instructions for easy microwave cooking. Complete with 18 capacitive touch sensors, dials with touch sensors, and organisable lists, the Assisted Display empowers consumers to achieve excellent results with step-by-step guidance, info, and alerts and savour the intuitive 6TH SENSE Cooking Combinations experience.



Softclosing Hinges

The new generation of hinges prevents any noisy slamming, so with just one gentle touch the doors effortlessly close smoothly and silently.



Steam

Healthy, steamed meals, anytime. Steam technology provides the healthiest, tastiest recipes, at the touch of a button.



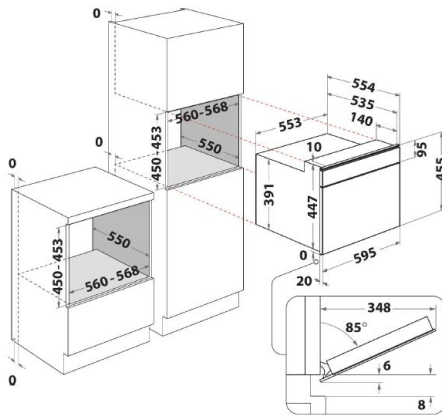
Steam & Boil

Harnessing the natural power of steam, this convenient programme keeps flavours and nutrients sealed in, and steams or boils food in a set of special accessories for easier preparation and faster, tastier results.

- 6TH Sense technology
- 6TH Sense CRISP Function with CRISP Plate
- 6th Sense Defrost
- Crisp Function
- Cavity 40 L
- Jet Defrost: fast reheating
- Forced Air
- Steam function
- Turbo Grill
- Steam&Boil
- CrispFry
- Bread Defrost function
- 900 W microwave
- Digital timer 90 min.
- Protruding handle
- 40 cm turntable
- Maximum dish diameter: 410 mm

W-COLLECTION MULTI-FUNCTIONAL MICROWAVE OVEN PRODUCT SPECIFICATIONS

W7MW461



- 第六感技術
- 第六感脆焗技術配備脆焗盤
- 第六感解凍
- 脆焗功能
- 爐腔40升
- 快速解凍：快速翻熱
- 熱風對流
- 蒸汽功能
- 加強燒烤
- 蒸氣和煮
- 酥脆脆炸
- 麵包解凍功能
- 900 W微波爐
- 數字定時器90分鐘。
- 突出手柄
- 40厘米轉盤
- 最大碟形直徑:410 mm

- ★ 酥脆脆炸
- ★ 第六感全新食譜
- ★ 緩衝門較



酥脆脆炸

使用DualCrisp，享受無與倫比的酥脆表面和美味細嫩的內部。惠而浦的獨家技術。兩個微波發射點完全包裹食物並從底部均勻地烹飪。



快速解凍

快速解凍。使用獨特的快速解凍3D系統，可以在微波爐中輕鬆有效地解凍食物。



熱風對流

密封的味道。感謝熱風對流的技術，預熱蒸焗爐內的空氣，更循環使用創新的對流系統，給你潤濕，多汁的烹飪結果。



第六感煮食

不用猜測。只需選擇您的食譜，每次都讓6th SENSE烹飪至完美。最多可選擇多至40種烹飪組合，以適應您的生活方式和飲食習慣，提供全面的輔助烹飪體驗。



輔助顯示

提供清晰，常識性的指示，便於微波烹飪。輔助顯示器配有18個電容式觸摸傳感器，帶觸摸傳感器的撥號盤和可組織列表，使消費者能夠通過逐步指導，信息和警報獲得出色的效果，並享受直觀的6TH SENSE烹飪組合體驗。



緩衝門較

新一代鉸鏈可以防止任何嘈雜的砰擊，因此只需輕輕一按，門就會毫不費力地平穩無聲地關閉。



蒸氣

隨時享用健康的蒸煮美食。只需輕觸按鈕，蒸氣技術即可提供最健康，最美味的食譜。



蒸汽，煮沸

利用蒸汽的自然力量，這個方便的程序保持口味和營養密封，並在一組特殊配件中蒸煮或煮食物，以便於準備和更快，更美味的結果。

W COLLECTION MULTI-FUNCTIONAL MICROWAVE OVEN PRODUCT SPECIFICATIONS

MAIN FEATURES(產品特點)	
Product(產品)	Microwave(微波爐)
Commercial code (型號)	W7 MW461
Main colour of product (產品顏色)	Stainless Steel(不銹鋼)
Type of micro-wave oven	Built-in(內置式)
Construction type(結構)	Electronic(電子)
Type of control(控制)	LCD Touch Sensor(LCD輕觸感應器)
Crisp(脆焗)	Yes
Steam(蒸氣)	Yes
Reheat (翻熱)	Yes
Bread Defrost(麵包解凍)	Yes
Jet Defrost (快速解凍)	Yes
Jet Start(快速開始)	Yes
Automatic programmes(自動程式)	78
Number of power levels(火力段數)	7
Accessories(配件)	
Turntable(轉盤)	1
Turntable Support(轉盤托)	1
Crisp Plate(脆焗盤)	1
Handle for Crisp Pate(脆焗盤手柄)	1
Wire Rack (燒烤架)	1
Steam Box(蒸盒)	1
Baking Trays (焗盤)	1
SPECIFICATIONS(規格)	
Current (A)	16
Voltage (V)	220-240
Frequency (Hz)	50/60
Length of Electrical Supply Cord (cm)	125
Grill Power	1600W
MW Power	900W
Height of the product	455
Width of the product	595
Depth of the product	560
Cut Out Height	450-453
Cut Out Width	560-568
Cut Out Depth	550
Capacity	40L